

## Round plenum box ZR/S/M

### Application

Round plenum box ZR/S/M is designed to be fitted on OC IMP Klima diffusers type OD-7, OD-11.

### Description

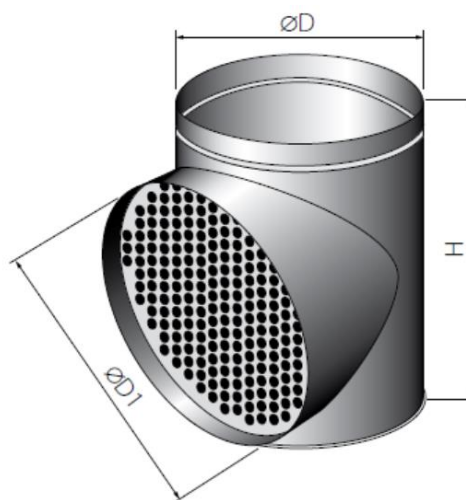
Round plenum boxes feature a side spigot and are fitted with a volume control damper and dispersing mesh for better supply. The plenum box is made from galvanised sheet steel.

### Construction and dimensions

**ØD1** Spigot diameter [mm]

**ØD** Plenum box diameter [mm]

**H** Height [mm]



### Dimension table

#### Plenum box for diffuser type OD-7 and OD-11

Designation	Size	ØD [mm]	ØD1 [mm]	H [mm]
ZR/S/M/	200	202	198	300
ZR/S/M/	250	252	248	350
ZR/S/M/	315	317	313	400
ZR/S/M/	400	403	398	500
ZR/S/M/	500	503	498	600
ZR/S/M/	630	633	598	700
ZR/S/M/	800	803	598	700

## Ordering key

**ZR / S / M / size / OD-7**

