

Supply air nozzle VŠ-5

Application

Air supply nozzles VŠ-5 are applied in the supply of cold or warm air in rooms where long throw distances and low noise operation are required. By combining individual nozzles into a block, the throw distance is increased proportionally. There is a choice of several mounting methods.

Description

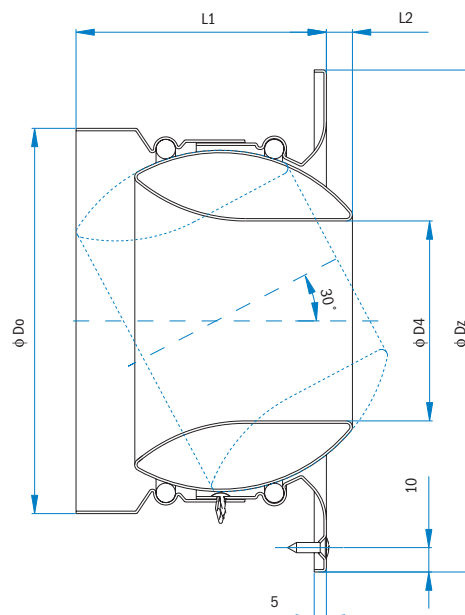
Supply nozzles VŠ-5 are adjustable. The air jet can be adjusted:

- manually, in all directions, within a $\pm 30^\circ$ range
- by means of an electric motor in horizontal and vertical direction, within a $\pm 30^\circ$ range.

The nozzle setting depends on the supplied air temperature.

The supply nozzle is integrated in a housing, thus even with the largest size, 400, it does not project into the room by more than 45 mm (see dimension L2 as a function of the setting angle 0°).

Supply nozzles VŠ-5 are made of galvanised eloxal treated aluminium sheet. On customer's request, nozzles can be powder painted in any of the RAL scale colours.



Sizes and dimensions

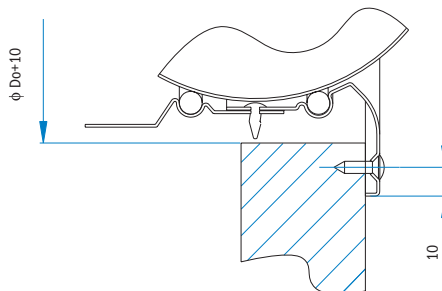
L2* ... corresponds to the setting angle 0°

Size	ϕD_o	ϕD_z	ϕD_4	L1	L2*	A_{ef} (m ²)	Weight (kg)
100	98	146	40	87	-5	0.0013	0.20
125	123	171	64	91	-1	0.0032	0.27
160	158	206	82	98	11	0.0053	0.3
200	198	252	108	108	19	0.0092	0.55
250	248	312	136	121	29	0.0145	0.77
315	313	377	174	145	35	0.0238	1.12
400	398	472	230	171	45	0.0415	1.64

Mounting methods:

• **Standalone nozzle (V)**

A nozzle without extensions is mounted by means of three bolts from its face. The mounting opening dimension is $\phi Do+10$ mm.

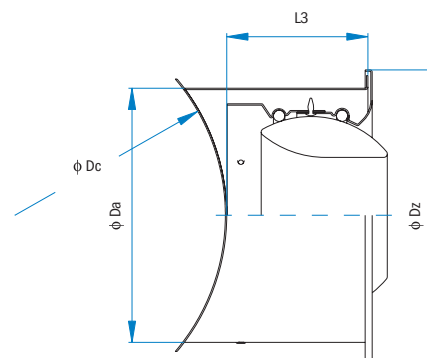
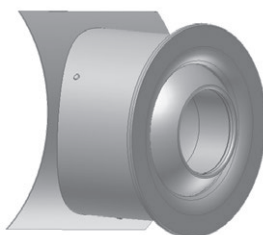


• **Mounting with extensions (designations D,K,E)**

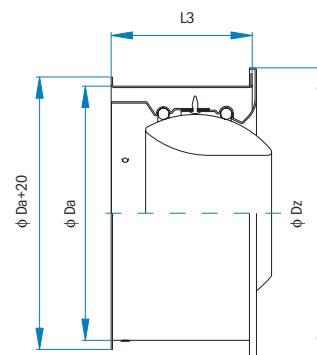
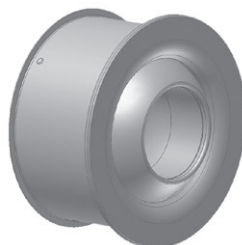
Visible nozzle mounting by means of an extension. The nozzle is supplied with the extension already installed. The installation technician mounts the extension to a round or rectangular duct by means of rivets or self-tapping screws. On customer's request, the extension can be powder painted in any of the RAL scale colours. The duct diameter ϕDc shall be specified in the order.

The extension is mounted separately. A standard dimension duct is attached to the extension connector.

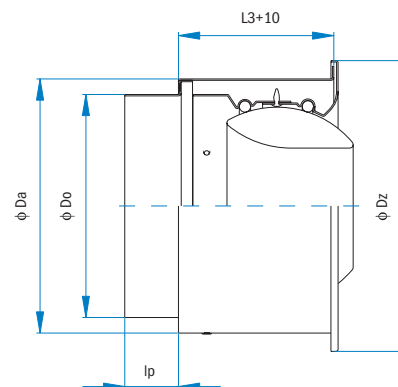
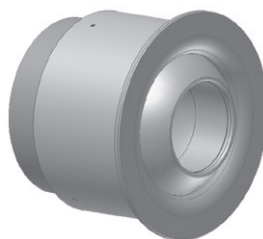
Mounting to a round duct (D)



Mounting to a rectangular duct (K)



Mounting with a connector to a duct (E)



Adjustment methods:

- **Electric motor adjustment, internal drive**

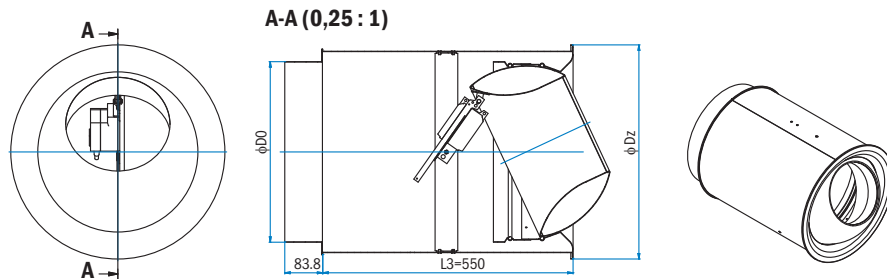
B1 LH motor Belimo LH 24A 100

B2 LH motor Belimo LH 230A 100

B3 LH motor Belimo LH 24A SR

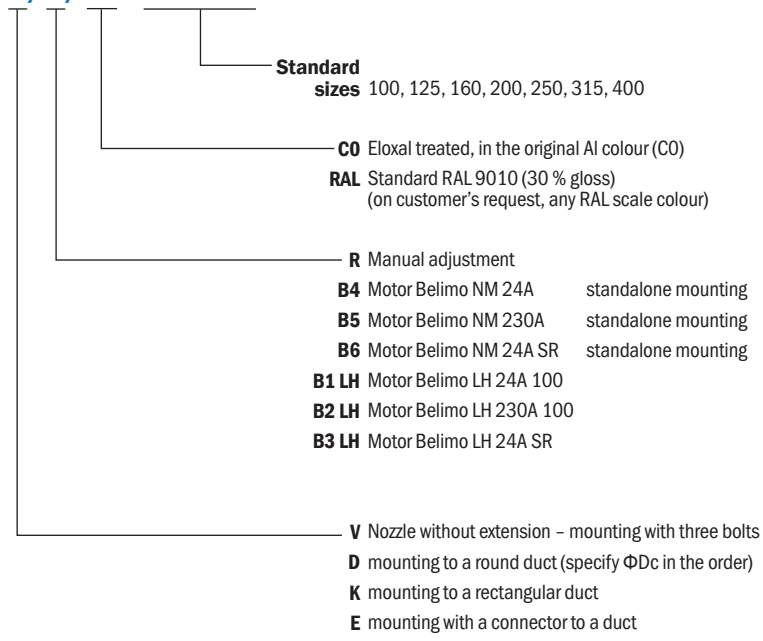
Variants D, K and E available.

With all the variants, the L3 dimension equals 550 mm. Variant is available in following sizes: 160, 200, 250, 315 and 400.

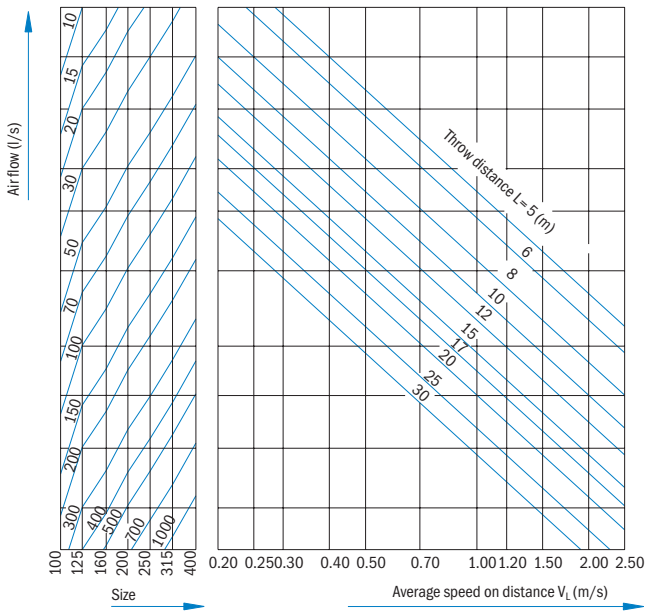


Ordering key

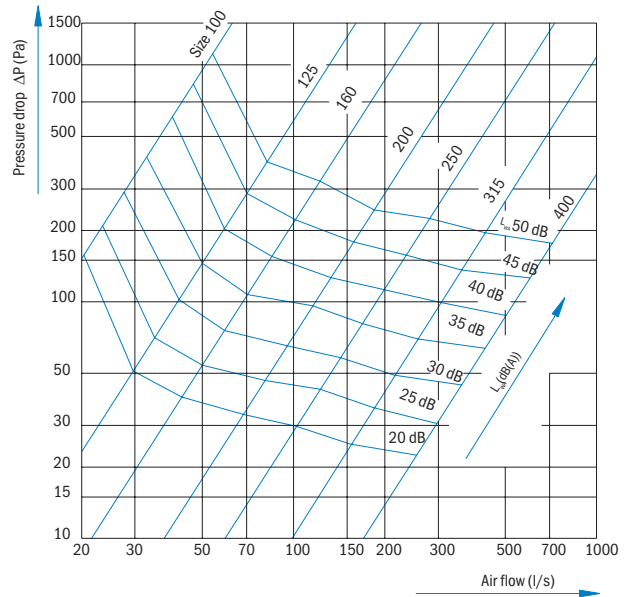
VŠ-5/D/R/C0 Size 160



Air velocity in the air jet centre and throw distance



Pressure drops and noise levels



Air jet discharge angle

