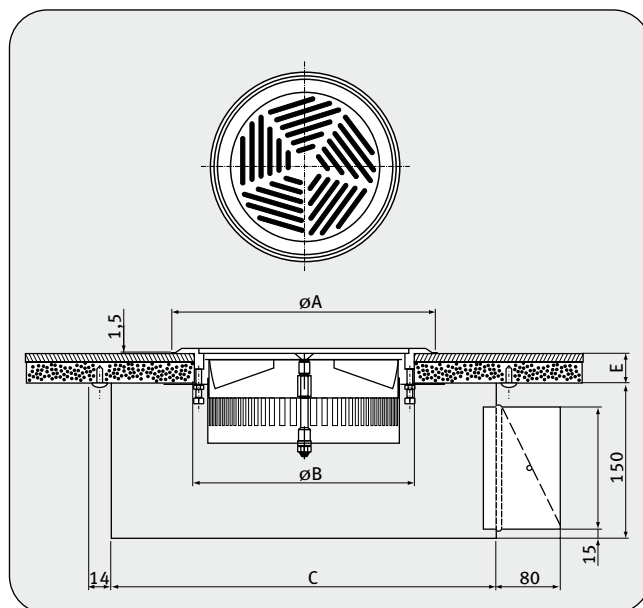


SWIRL FLOOR DIFFUSER

FDS



- Circular swirl air supply diffuser for floor mounting
- Diffuser made of cast aluminum, dirt trap and diffuser base made of galvanized steel
- High induction level
- Special design allows for diffuser cleaning
- Colour: anodized non-painted surface
- Fast and easy installation
- Available sizes: $\varnothing 150$, $\varnothing 200$

| Type | Dimensions (mm) | | | | |
|---------|-----------------|-----------------|-----------------|---------|---------|
| | $\varnothing A$ | $\varnothing B$ | $\varnothing C$ | E (min) | E (max) |
| FDS 150 | 190 | 150 | 225 | 14 | 32 |
| FDS 200 | 240 | 200 | 275 | 14 | 32 |