

Filter grilles.../PF

Application

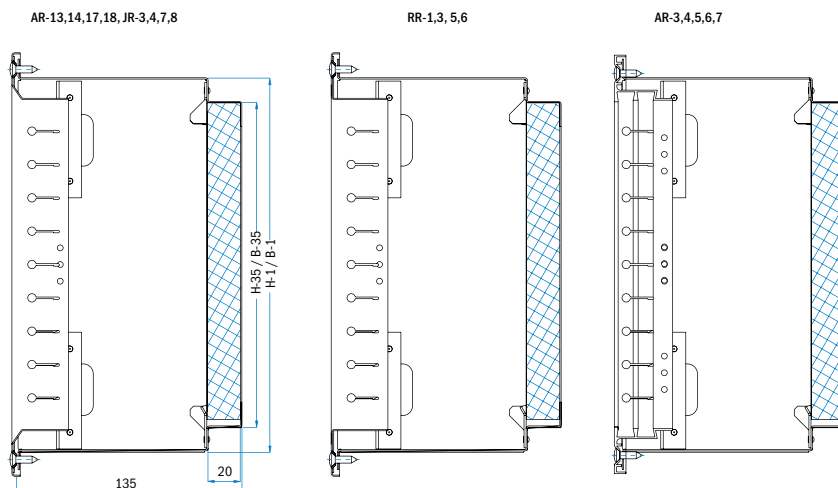
Grilles with pre-filter are designed for application in rooms with special demands (computer centres, libraries, archives).

Description

Filter housing is designed to fit all sizes of ventilating grilles. It consists of galvanized sheet steel. Air volume is controlled by the means of F or T type air volume damper. Filter class G2 to F5. Filter builds up the initial pressure of 50Pa by the air flow volume of 500 m³/h and air velocity $V_{ef} = 1.4$ m/s (at the grille). In the course of time, when filter gets dirty, pressure drop is increased.

Filter replacement

When replacing the filter, remove the grille and take out the filter infill. Replace used filter infill with new one of the same quality. Fasten the new infill in the housing and finally replace the grille.

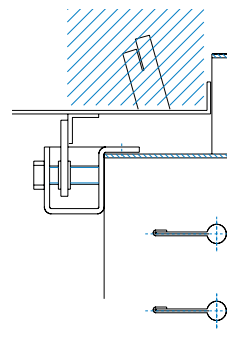
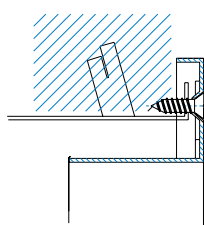


Installation

Filter housing can be built-in or screwed in the duct. Grille is mounted on the filter housing:

1. with screws on the frame (AR, JR) **PF/V**

2. with locks (hidden installation) (AR, JR) **PF/2**



Ordering example

Ventilating grille:

With pre-filter: **AR-13PF/G2/2 - F**
 Size: **B = 825 H = 125**
 Filter quality: **G2, G3, G4, F5**
 Pcs: **4**