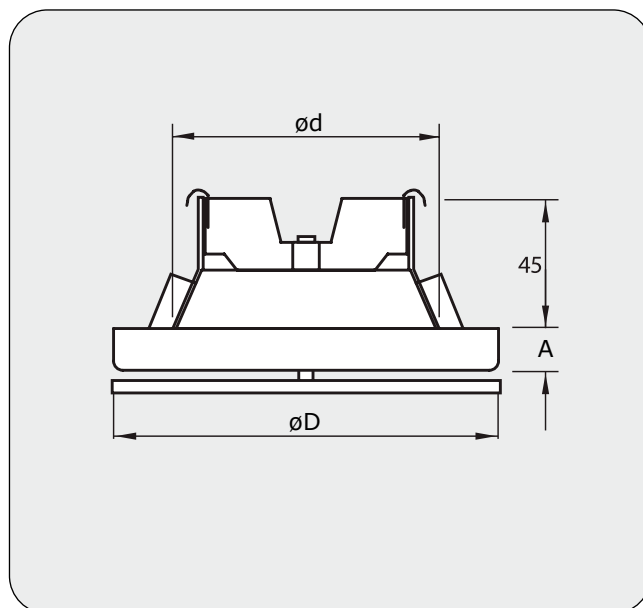


SUPPLY AIR VALVE

SF-S



- Supply air valve designed for ceiling mounting on ventilation ducts
- Made of galvanized steel, attenuated with sound-absorbing material
- Painted white (RAL 9010)
- Easy adjustment of air flow by rotating central part
- Blocking nut allows for setting the minimum slot
- Special design of rotary plate filled with attenuating material provides low noise level
- High quality and modern design
- Valve can be installed directly on duct or plenum box
- Fast and easy installation

Valve diameter	$\varnothing D$ (mm)	$\varnothing d$ (mm)	A (mm)
80	106	80	15
100	135	100	15
125	160	125	15
160	191	160	15
200	238	200	18

Sound attenuation ΔL (dB)

	Medium band, Hz							
	63	125	250	500	1k	2k	4k	8k
SF-S 80	24	19	15	11	2	3	6	7
SF-S 100	22	17	13	10	2	2	7	8
SF-S 125	18	16	12	8	3	3	7	8
SF-S 160	18	15	11	9	4	5	7	9