

## ■ Rectangular plenum box K

### Application

Rectangular plenum box K is designed to be fitted on OC IMP Klima diffusers type OD-4, OD-5, OD-8, OD-9, OD-15.

### Description

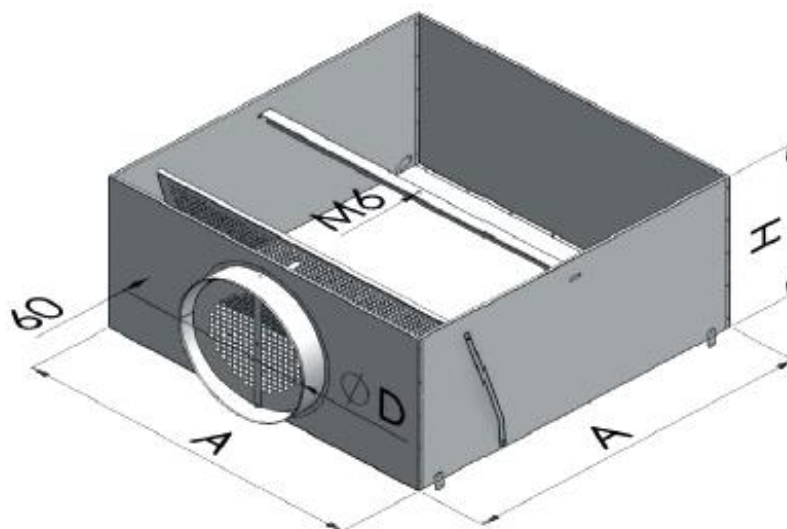
Rectangular plenum boxes feature a side spigot and are fitted with a volume control damper and dispersing mesh for better supply. The plenum box is made from galvanised sheet steel. On request the plenum boxes can be fitted with 6 mm thick thermal insulation or 10 mm thick sound and thermal insulation.

### Construction and dimensions

A Width / Length [mm]

H Height [mm]

ØD Spigot diameter [mm]



### Dimension table

#### Plenum box for diffuser type OD-4/K1

Designation	Size	A [mm]	ØD [mm]	H [mm]
K/Z/S/M/	400	390	198	250
K/Z/S/M/	500	390	198	250
K/Z/S/M/	600	390	198	250
K/Z/S/M/	625	390	198	250
K/Z/S/M/	600D	590	248	300
K/Z/S/M/	625D	590	248	300

#### Plenum box for diffuser type OD-5/K1

Designation	Size	A [mm]	ØD [mm]	H [mm]
K/Z/S/M/	300	290	158	210
K/Z/S/M/	400	390	198	250
K/Z/S/M/	500	490	198	250
K/Z/S/M/	600	590	248	300
K/Z/S/M/	625	590	248	300

## Plenum boxes

---

### Plenum box for diffuser type OD-8/K1

Designation	Size / Deflectors	A [mm]	ØD [mm]	H [mm]
K/Z/S/M/	300/8	290	158	210
K/Z/S/M/	400/16	390	198	250
K/Z/S/M/	500/16	390	198	250
K/Z/S/M/	600/16	390	198	250
K/Z/S/M/	625/16	390	198	250
K/Z/S/M/	500/24	490	198	250
K/Z/S/M/	600/24	590	248	300
K/Z/S/M/	625/24	590	248	300
K/Z/S/M/	600/48	590	248	300
K/Z/S/M/	625/54	615	248	300
K/Z/S/M/	800/72	790	313	365
K/Z/S/M/	825/72	790	313	365

### Plenum box for diffuser type OD-9/KK1, OD-9/KR1

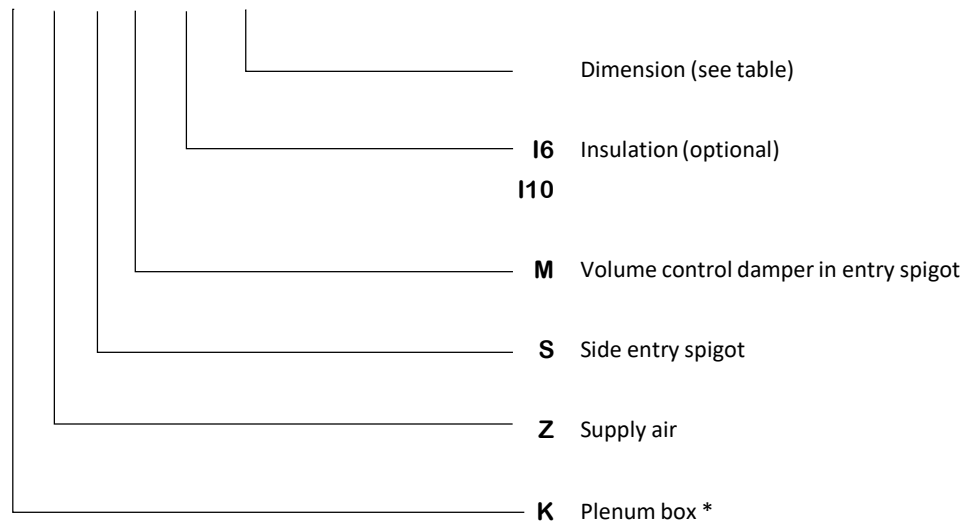
Designation	Size	A [mm]	ØD [mm]	H [mm]
K/Z/S/M/	310	290	158	210
K/Z/S/M/	400	390	198	250
K/Z/S/M/	500	490	248	300
K/Z/S/M/	600	590	248	300
K/Z/S/M/	625	590	248	300
K/Z/S/M/	800	790	313	365

### Plenum box for diffuser type OD-15/K1

Designation	Size	A [mm]	ØD [mm]	H [mm]
K/Z/S/M/	300	290	123	175
K/Z/S/M/	400	390	198	250
K/Z/S/M/	500	490	198	250
K/Z/S/M/	600	590	248	300
K/Z/S/M/	625	590	248	300

## Ordering key

### K / Z / S / M / I6 / 400



\* Plenum boxes sizes 300 - 625 are fixed with one central screw.

Plenum boxes size 800 and 825 are fixed with one central screw and 4 screws on the corners.