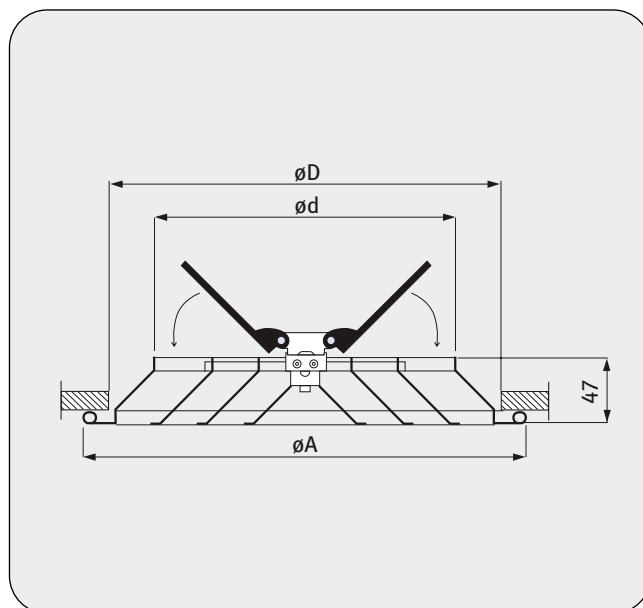


## ROUND CEILING DIFFUSER

**DS**



- Diffuser elements are made of pressed aluminum
- Integrated damper made of plastic
- Painted white (RAL 9016)
- Flat diffuser panel
- Light weight
- Removable lamellas
- Easy installation and adjustment thanks to unique technical design
- Suitable for hot or cold air supply and exhaust
- Suitable for systems with variable air volume

### ALSO AVAILABLE

DSP connection for DS diffuser



Diffuser diameter	$\varnothing A$ (mm)	$\varnothing d$ (mm)	$\varnothing D$ (mm)
150	257	149	225
200	307	199	275
250	357	249	325
300	407	299	375
350	457	349	425